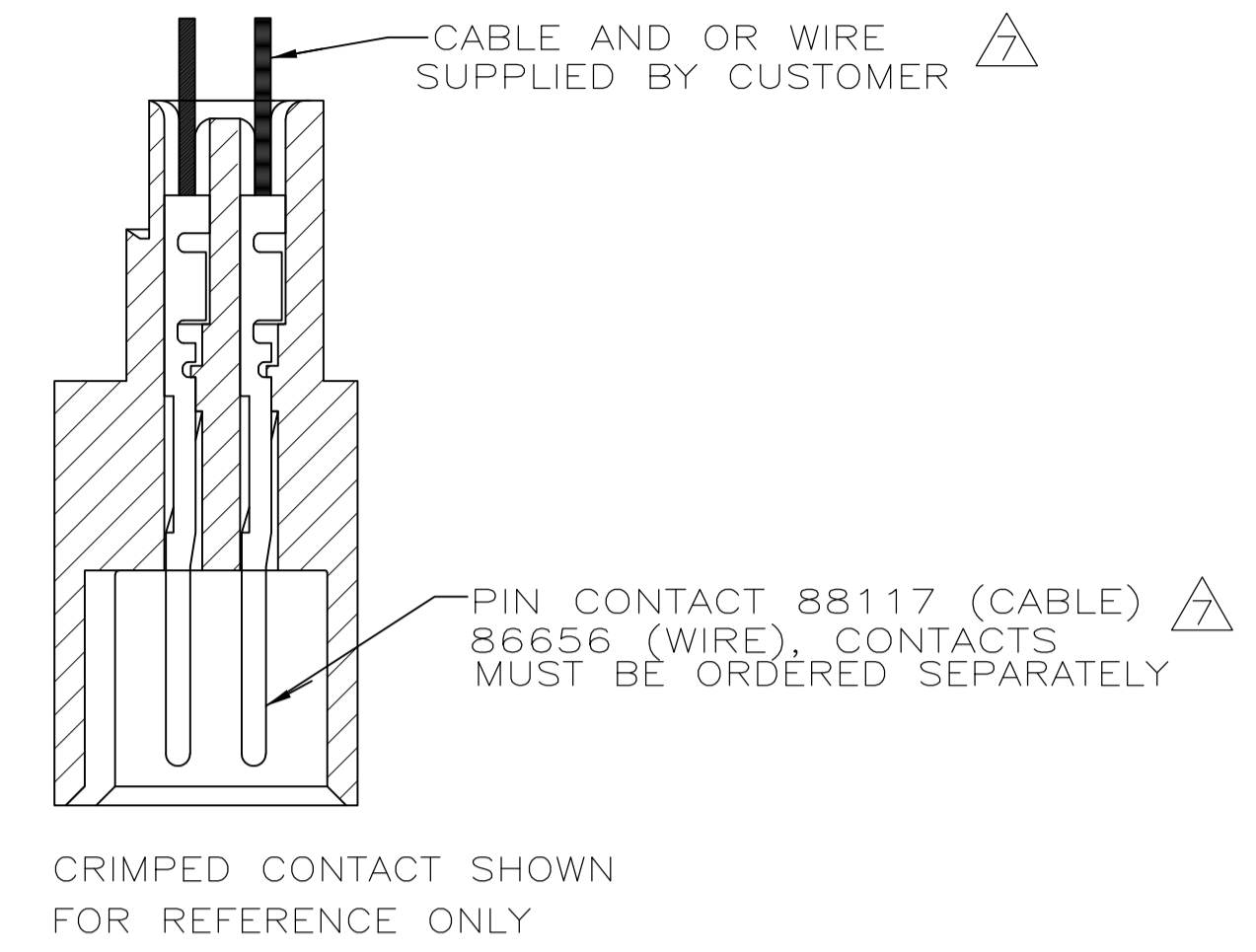
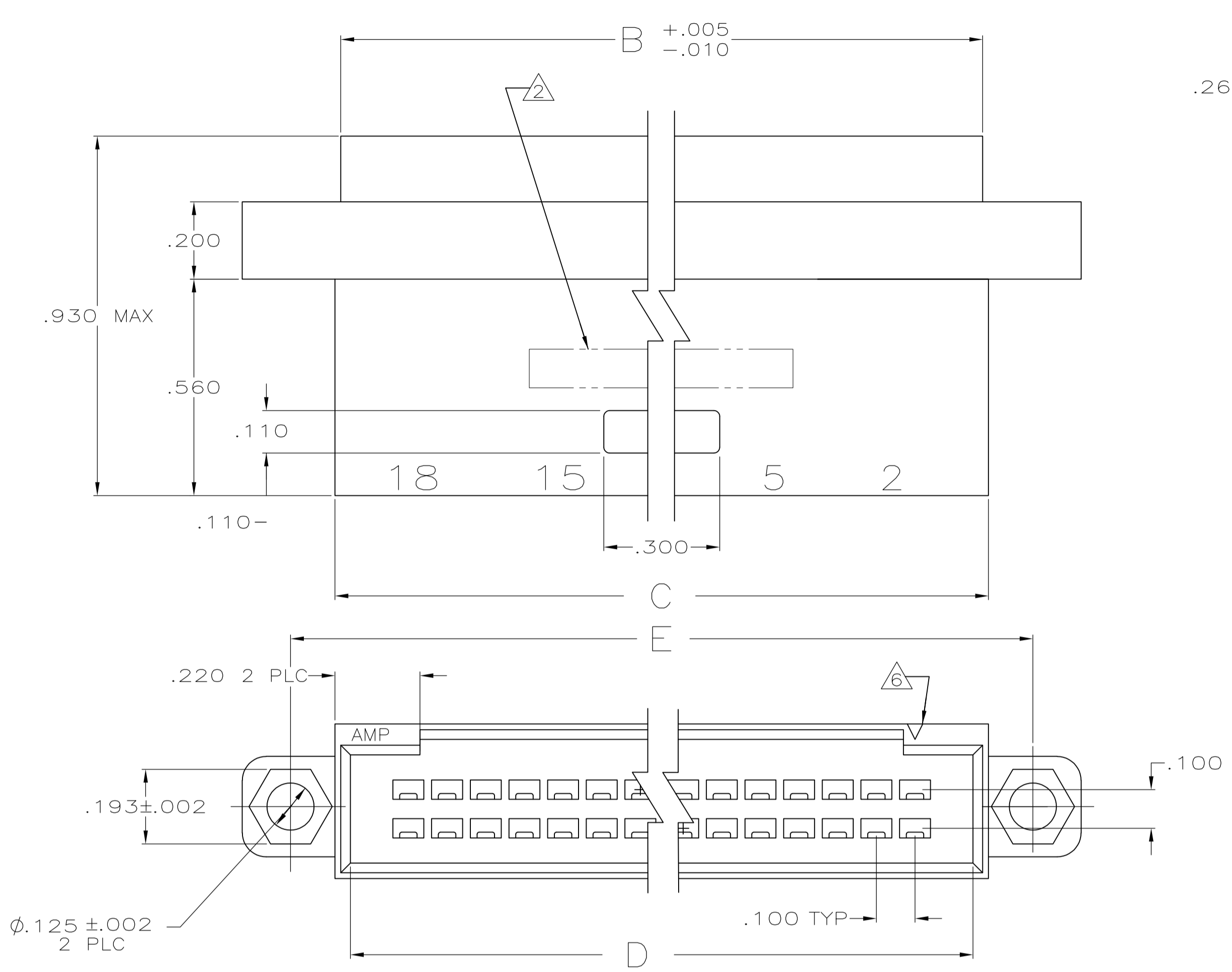
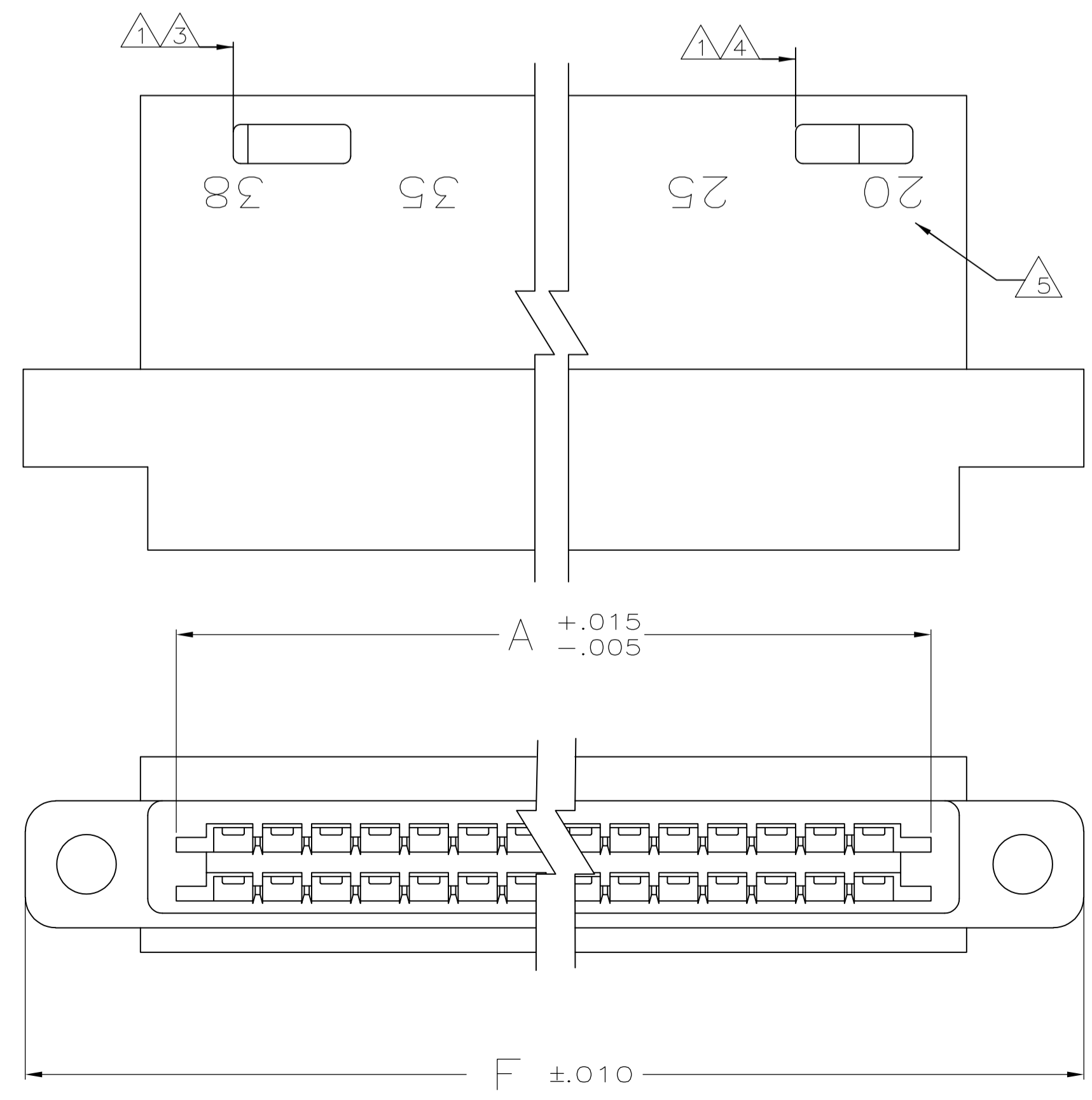


LOC		DIST		REVISIONS			
GP	00	F	LTR	DESCRIPTION	DATE	DMN	APVD
		AE		REVISED PER ECO-08-025674	22OCT08	JDP	CWR
		AE1		REVISED PER ECO-09-021826	8JAN10	KK	AE1



- 1 DETENT SLOTS 6,10,12,16 & 18 POSN
 ONE SLOT LOCATED AS FOLLOWS:
 6 POSN CENTERLINE OF FIRST CIRCUIT FROM LEFT
 10 AND 12 POSN CENTERLINE OF SECOND CIRCUIT FROM LEFT
 16 POSN CENTERLINE OF THIRD CIRCUIT FROM LEFT
 18 POSN CENTERLINE OF FOURTH CIRCUIT FROM LEFT
 20 POSN AND GREATER TWO DETENT SLOTS LOCATED AS SHOWN
- 2 PART NO. AND DATE CODE INK STAMPED, WHITE.
- 3 CENTERLINE OF FIRST CAVITY FROM LEFT
- 4 CENTERLINE OF THIRD CAVITY FROM RIGHT
- 5 CAVITY IDENTS INK STAMPED (WHITE). (SEE TABLE)
- 6 INDICATES POSITION 1, MAY BE RECESSED OR RAISED.
- 7 HOUSING WILL ACCOMMODATE FLEXIBLE FLAT CABLE .050 OR .062 WIDE CONDUCTORS ON .100 CENTERS (CABLE=.015 MAX THK) AND #22-#24 AWG WIRE WITH INSULATION RANGE OF .061 TO .069 DIA
- 8. THIS HOUSING IS DESIGNED TO MATE WITH FFC RECEPTACLE HOUSING AND AMP LATCH RECEPTACLE HOUSING
- 9 OBSOLETE PART NUMBER
- 10 GLASS-FILLED NYLON, BLACK, UL V-0.
- 11 OBSOLETE PARTS: OBSOLETE CIS STREAMLINING PER D.RENAUD/D.SINISI



3-88190-7	2,5,10,16	18,25,30,34	2.460	2.210	1.900	1.980	1.950	1.834	34	3-88190-8
3-88190-5	2,5	7,10,12	1.360	1.110	.800	.880	.850	.734	12	3-88190-6
3-88190-3	2,5,7	9,16	1.560	1.310	1.000	1.080	1.050	.931	16	3-88190-4
3-88190-1	2	4,6	1.060	.810	.500	.580	.550	.434	6	3-88190-2
2-88190-9	2,4	6,10	1.260	1.010	.700	.780	.750	.634	10	3-88190-0
2-88190-7	2,5,10,15,20,25,30,34	36,40,45,50,55,60,65,70	4.260	4.010	3.700	3.780	3.750	3.634	70	2-88190-8
2-88190-5	2,5,10,15,20,25,32	34,40,45,50,55,60,66	4.060	3.810	3.500	3.580	3.550	3.434	66	2-88190-6
2-88190-3	2,5,10,15,20,25,29	31,35,40,45,50,55,60	3.760	3.510	3.200	3.280	3.250	3.134	60	2-88190-4
2-88190-1	2,5,10,15,20,25,28	30,35,40,45,50,55,58	3.660	3.410	3.100	3.180	3.150	3.034	58	2-88190-2
1-88190-9	2,5,10,15,21	23,25,30,35,40,44	2.960	2.710	2.400	2.480	2.450	2.334	44	2-88190-0
1-88190-7	2,5,10,15,19	21,25,30,35,40	2.760	2.510	2.200	2.280	2.250	2.134	40	1-88190-8
1-88190-5	2,5,10,17	19,25,30,36	2.560	2.310	2.000	2.080	2.050	1.934	36	1-88190-6
1-88190-3	2,5,10,13	15,20,25,28	2.160	1.910	1.600	1.680	1.650	1.534	28	1-88190-4
1-88190-1	2,5,12	14,20,26	2.060	1.810	1.500	1.580	1.550	1.434	26	1-88190-2
88190-9	2,5,11	13,20,24	1.960	1.710	1.400	1.480	1.450	1.334	24	1-88190-0
88190-7	2,5,9	11,15,20	1.760	1.510	1.200	1.280	1.250	1.134	20	88190-8
88190-5	2,5,8	10,15,18	1.660	1.410	1.100	1.180	1.150	1.034	18	88190-6
88190-3	2,5,10,15,20,24	26,30,35,40,45,50	3.260	3.010	2.700	2.780	2.750	2.634	50	88190-4
88190-1	2,5,10,15,18	20,25,30,35,38	2.660	2.410	2.100	2.180	2.150	2.034	38	88190-2

INK STAMPED PART NO.	CAVITY POSN NO. STAMPED		F	E	D	C	B	A	NO OF POSN	AS MOLDED PART NO.
	NEAR SIDE	FAR SIDE								

THIS DRAWING IS A CONTROLLED DOCUMENT.

DIMENSIONS: INCHES
 TOLERANCES UNLESS OTHERWISE SPECIFIED:
 0 PLC ± -
 1 PLC ± -
 2 PLC ± -
 3 PLC ± .005
 4 PLC ± -
 ANGLES ± -

MATERIAL: 10
 FINISH: -

THIS DRAWING IS A CONTROLLED DOCUMENT.
 DIM: J. GALLUCCI 2-20-89
 CHK: D. L. ROCKER 3-2-89
 APVD: -
 NAME: -
 PRODUCT SPEC: -
 APPLICATION SPEC: -
 WEIGHT: -
 CUSTOMER DRAWING

Tyco Electronics Corporation
 Harrisburg, PA 17105-3608
 HOUSING, PIN, DBL ROW, W/DETENT SLOTS, MTG EARS, .100 C/L
 SIZE: A1
 CASE CODE: 00779
 DRAWING NO: 88190
 SCALE: 4:1
 SHEET: 1 OF 1
 REV: AE1